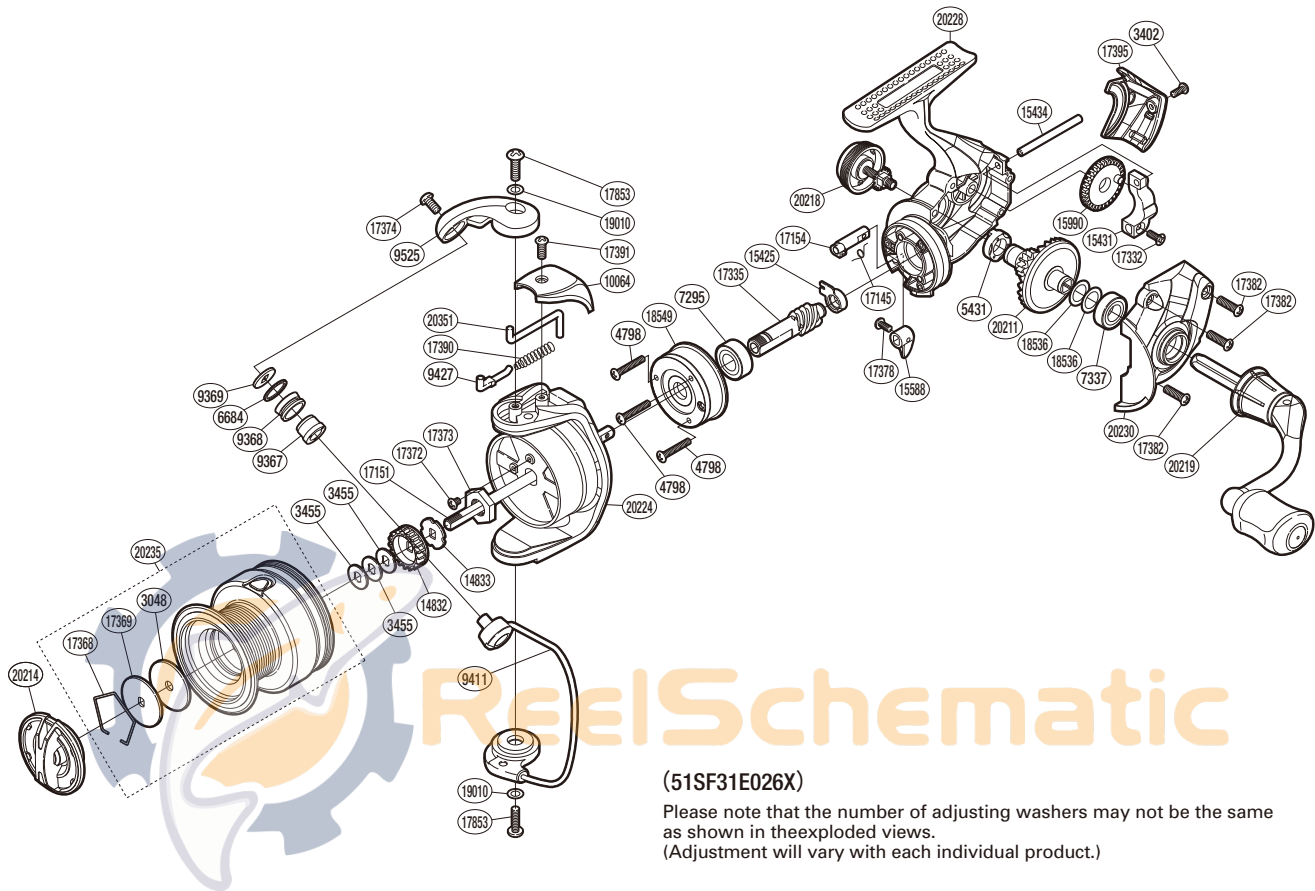


SHIMANO

FX

FX2500HGFC



Part No.	Description	Part No.	Description	Part No.	Description
RD 3048	Drag Washer	RD15425	Pinion Gear Bushing	RD17390	Bail Spring
RD 3402	Screw	RD15431	Oscillating Slider	RD17391	Screw
RD 3455	Spool Washer	RD15434	Oscillating Guide	RD17395	Rear Protector
RD 4798	Screw	RD15588	Anti-Reverse Lever	RD17853	Screw
RD 5431	Drive Gear Bushing	RD15990	Oscillating Gear	RD18536	Washer
RD 6684	Line Roller Spacer	RD17145	Anti-Reverse Cam Spring	RD18549	Roller Clutch Assembly
RD 7295	Ball Bearing	RD17151	Main Shaft	RD19010	Washer
RD 7337	Ball Bearing	RD17154	Anti-Reverse Cam	RD20211	Drive Gear
RD 9367	Line Roller Bushing	RD17332	Screw	RD20214	Drag Knob Assembly
RD 9368	Line Roller	RD17335	Pinion Gear	RD20218	Handle Screw Cap
RD 9369	Line Roller Washer	RD17368	Drag Washer Retainer	RD20219	Handle Assembly
RD 9411	Bail Assembly	RD17369	Key Washer	RD20224	Rotor
RD 9427	Bail Spring Guide A	RD17372	Screw	RD20228	Body
RD 9525	Bail Arm	RD17373	Rotor Nut	RD20230	Side Cover
RD10064	Bail Spring Cover	RD17374	Screw	RD20235	Spool Assembly
RD14832	Spool Support A	RD17378	Screw	RD20351	Bail Trip Lever
RD14833	Spool Support B	RD17382	Screw		